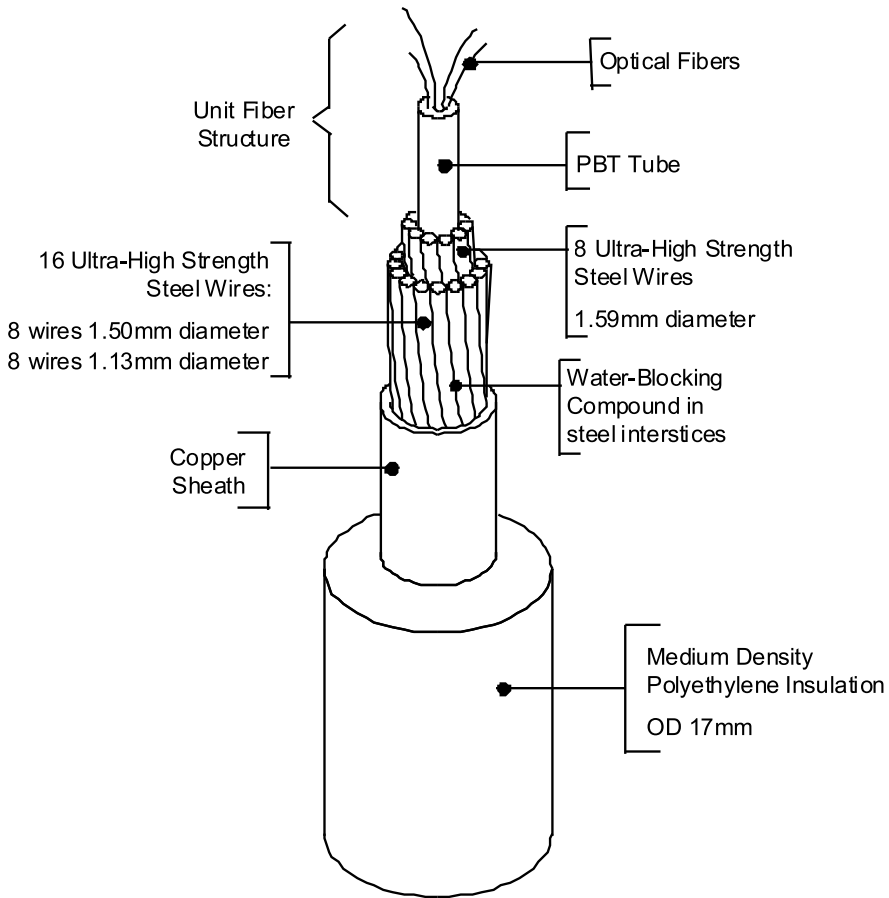
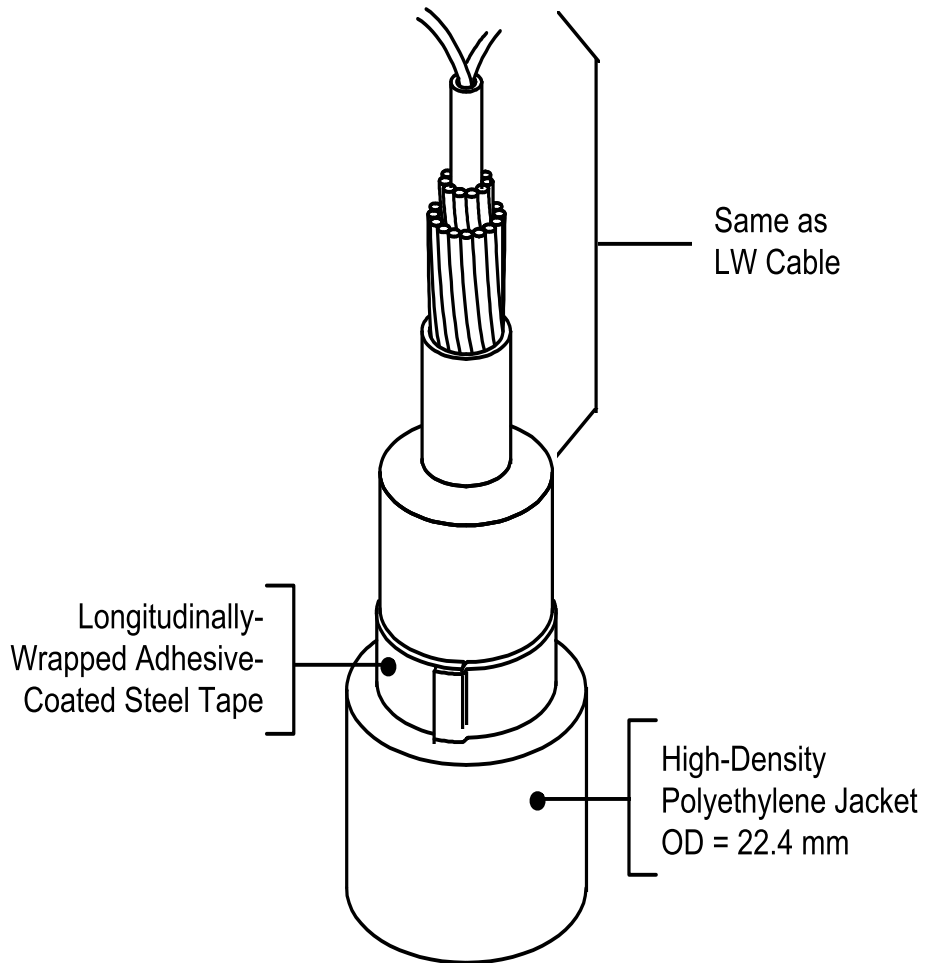


SL17 LIGHTWEIGHT (LW) (1.00 ohm/km DCR)



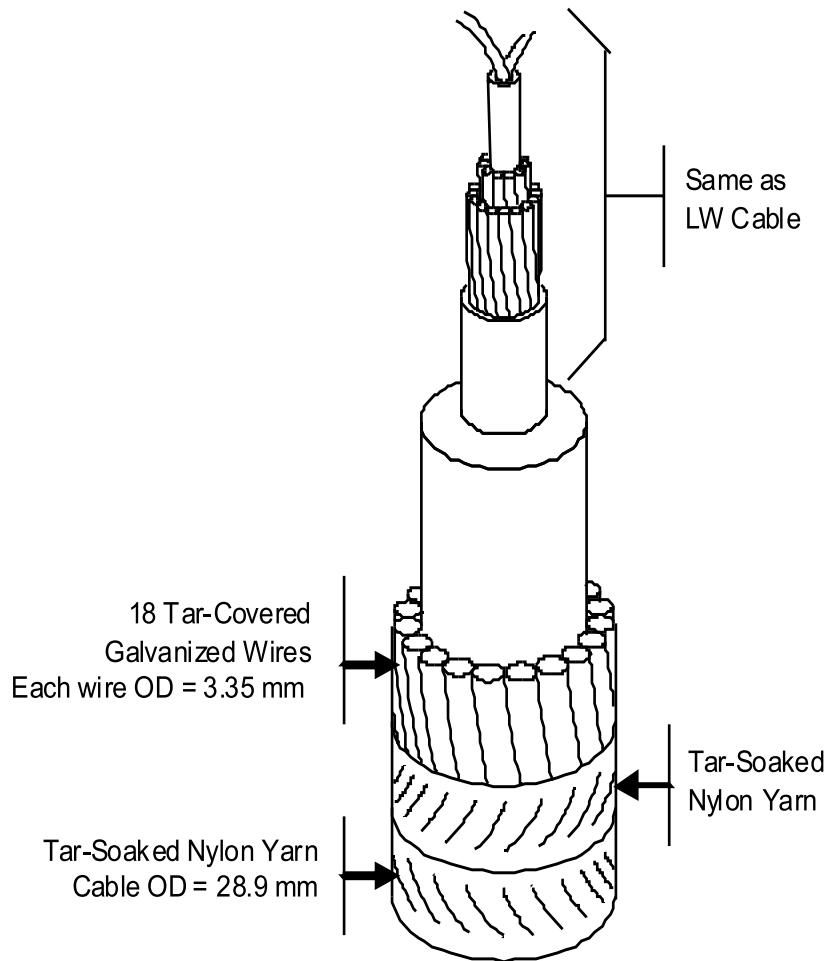
SL17 SPECIAL APPLICATIONS (SPA)
(1.00 ohm/km DCR)



tyco

Telecommunications

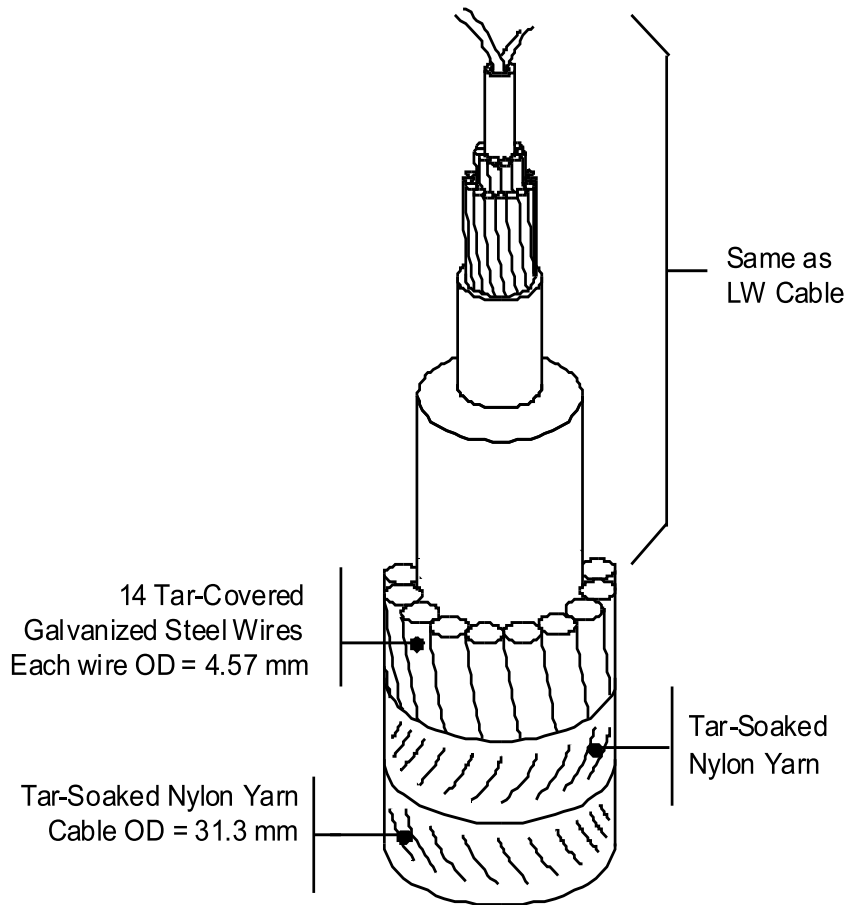
SL17 LIGHTWIRE ARMORED (LWA) (1.00 ohm/km DCR)



tyco

Telecommunications

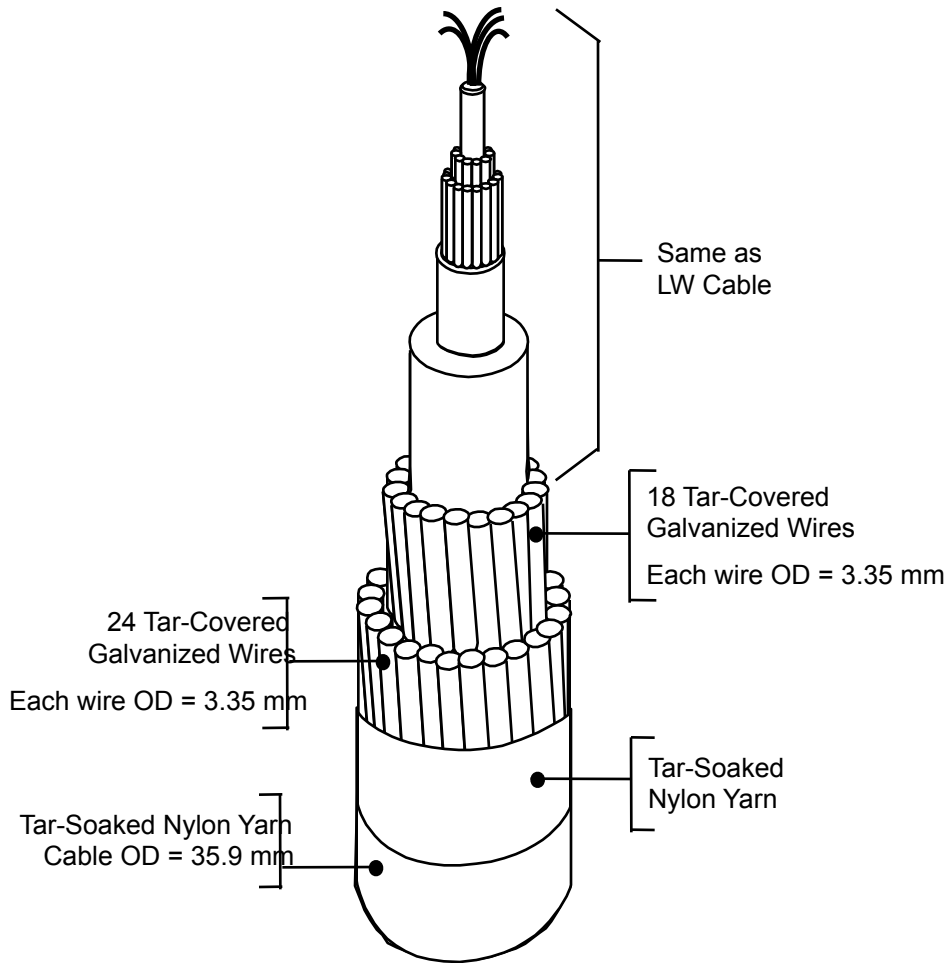
SL17 SINGLE ARMORED (SA) (1.00 ohm/km DCR)



tyco

Telecommunications

SL17 DOUBLE ARMORED HIGH STRENGTH (DA-HS) (1.00 ohm/km DCR)



tyco

Telecommunications